

## SNMP / WEB MANAGER

CS121 External & Slotcards, CS121 BUDGET



## Features

### ● High-tech made in Germany

The most powerful and flexible UPS management card worldwide! 32-Bit RISC-Processors, 10/100Mbit auto-sensing Ethernet, 3 serial RS-232 Interfaces (not BUDGET version), AUX port for 4 dry-contact external alarms output/input (not Budget version), (optional) MODBUS RS 485 interface, interface for BACS.

### ● Graphical and non-graphical interfaces

Several options are available for monitoring and configuring the CS121: Windows UPSMON, JAVAMON, UNMS, every type of SNMP network management station, internet browsers and non-grafical: TELNET, FTP. Additionally supported is the GENEREX API. The statistical analysis is graphically shown through the GCHART plugin for the Microsoft Internet Explorer. Those statistics show the values of the UPS and all connected external devices like temperature, humidity, etc.

### ● Suitable for every type and maker of UPS

Supports more than 1400 UPS types from 70 UPS manufacturers. The incorporation of RS-232 protocol and support of dry contacts makes the monitoring of virtually any device possible.

### ● Log book

Measurement values and alarms are written with time stamps into the non-volatile storage of the CS121 adapter. The time synchronisation function insures that all protocols are written with precise time values.

### ● Graphical operation and statistics

The CS121 WEB-Server provides its users with a simple to use overview for a broad range of functionality within its monitoring and configuration capabilities. The CS121 adapter also has the highest performing graphical analysis tool in its class for dynamic data evaluation-GCHART.

### ● Email/SMS

Integrated Email client via SMTP can be configured to relay either all or UPS messages. The Email client can also make use of network messaging options for distributing information or use network internal email facilities. Compatible with SMTP email systems such as MS Exchange, Lotus, and many others.

### ● Multiserver Shutdown

Unlimited shutdown manager for RCCMD clients – for more than 40 different operating systems. This makes it possible for a CS121 adapter to inform and shutdown any type of computer in a given network which can then be used to centralise the administration of large networks while greatly reducing both the amount of organisational work and the amount of consumed network time for communications. Different options are available for conducting shutdowns and system start ups:

a)Coldboot (Computers are directly cut-off from or connected

to the power supply. This option may require a SITESWITCH)

b)Warmboot (Using RCCMD operating systems are prompted to shutdown or restart.)

c)Wake on LAN (Using data packages other computers in a local network are prompted to start-up.)

### ● Network Services

UPSMAN compatible software for Alarm management. Supports SNMP, HTTP, Telnet, ARP, TCP, UDP, DNS, SMTP, NTP, FTP, UPSTCP (UPSMON, UNMS), PPP, MODBUS over IP, MODBUS/PROFIBUS over RS232/485 (PRO Models only, extra hardware needed) and RCCMD/RCCMD2 (Multiserver/Multi-OS shutdown/messaging tool) Standard basis for parallel redundant UPS with USW (UPS SNMP WATCH) and the GENEREX UNMS 2 network management system.

### ● MODEM

Support for analogue and GSM Modems for the remote monitoring and administration of UPS and other connected GENEREX devices. The function makes administration of the UPS system possible without compromising the security of the network it is servicing. (not BUDGET version)

### ● SNMP / HP Openview

Includes free Snap-In for HP Openview for Windows. The CS121 supports the RFC1628 MIB (Standard UPS MIB) and MIB extensions for use with the SITEMANAGER, SITESWITCH 4, and SENSORMANAGER. This enables the CS121 adapter to make all of its gathered information from other devices available via SNMP and this has been tested with Sun Netmanager, IBM Netview, Tivoli, Unicenter, Cabletron Spectrum, Managewise, and Castlerock and many other SNMP based network-management systems. Additionally Ipswitch WHATS UP 6 and HP/COMPAQ Insightmanager are supported.

### ● BACS Batterymanagementsystem

The CS121 based BACS WEBMANAGER BUDGET is the ultimate version of the CS121 range and adds a batterymanagment functionality to your system. The CS121 Professional and the CS121 MINI (models 2008) have a basic interface for Batterymanagement BACS for up to 32 batteries. A possible failure of your UPS batteries is now under your control.

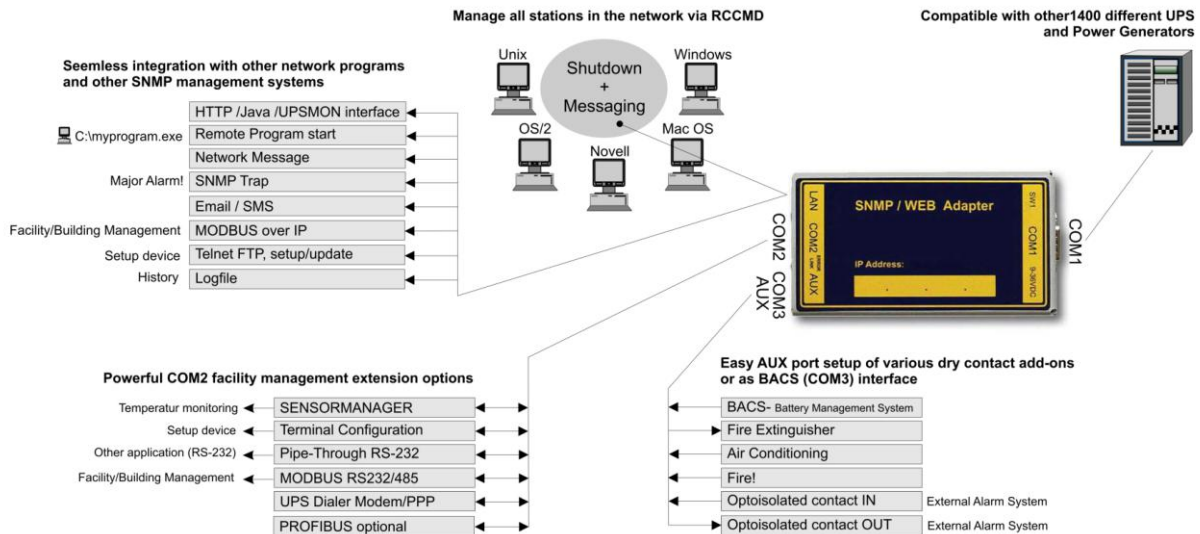
### ● MODBUS over IP

All of the CS121 adapters are equipped with MODBUS-over-IP which enables the CS121 to incorporate PLC devices (SPS) like those from Schneider Group. (not budget version).

### ● Scheduler

Websrver based Scheduler allows scheduled on/off of the UPS output or SITESWITCH receptables or to start batterytests. This secures that the UPS runs regularly batterytests and informs the user about problems via Email, logfile etc.

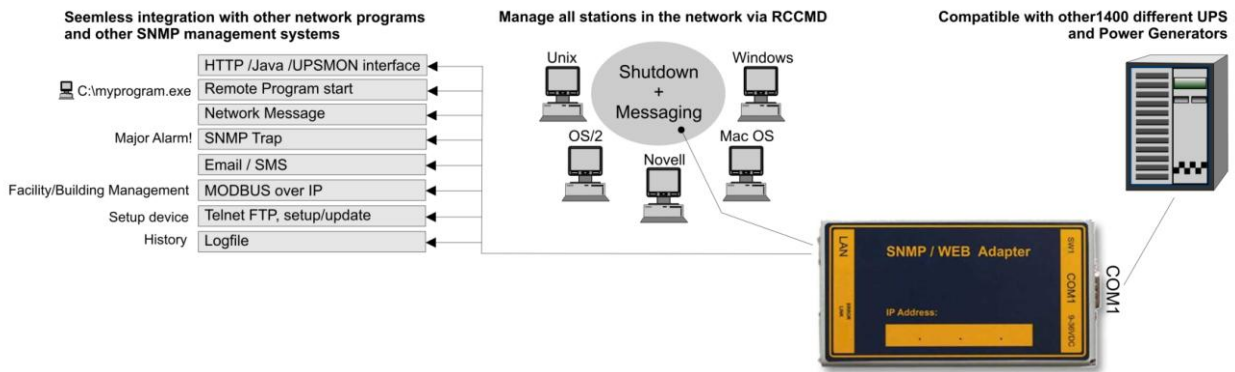
# Function overview of the CS121 Professional



# Technical Data of the CS121 Professional

	<b>CS121 Professional External (all vendors)</b>	<b>CS121 Slot Professional (all vendors)</b>
Power supply	12V (min. 9V, max. 30V DC), 120 mA	12V (min. 9V, max. 30V DC), 120 mA
Size, weight	69x126 mm, 210 g	60x120 mm, 66 g
Ethernet	10/ 100Mbit Base-T auto sense	10/ 100Mbit Base-T auto sense
RS-232 interface	3	3
RS-485 interface	Optional	Optional
MODBUS over IP	Standard	Standard
Status LED's	Normal green, boot/error red	Normal green, boot/error red
User manual	German, English	German, English
MIB	RFC 1628 and private extension	RFC 1628 and private extension
Operating temperature/	0 – 40 °C	0 – 60 °C
Humidity	10-80%, not condensated	10-80%, not condensated
Certifications	CE, UL/ETL	CE, UL/ETL
Warranty	2 years	2 years

# Function overview of the CS121 BUDGET



# Technical Data of the CS121 BUDGET and MINI

	<b>CS121 BUDGET External</b>	<b>CS121 BUDGET Slot</b>	<b>CS121 MINI Slot</b>
Power supply	12V (min. 9V, max. 30V DC), 120 mA	12V (min. 9V, max. 30V DC), 120 mA	12V (min. 9V, max. 30V DC), 120 mA
Size, weight	69x126 mm, 210 g	60x120 mm, 66 g	42 x 80 mm, 36 g
Ethernet	10/ 100Mbit Base-T auto sense	10/ 100Mbit Base-T auto sense	10/ 100Mbit Base-T auto sense
RS-232 interface	1	1	2
MODBUS over IP	Optional	Optional	Optional
Status LED's	Normal green, boot/error red	Normal green, boot/error red	Normal green, boot/error red
User manual	German, English	German, English	German, English
MIB	RFC 1628 and private extension	RFC 1628 and private extension	RFC 1628 and private extension
Operating temperature/	0 – 40 °C	0 – 60 °C	0 – 60 °C
Humidity	10-80%, not condensated	10-80%, not condensated	10-80%, not condensated
Certifications	CE, UL/ETL	CE, UL/ETL	CE, UL/ETL
Warranty	2 years	2 years	2 years

# Function overview of the CS121 MINI

